

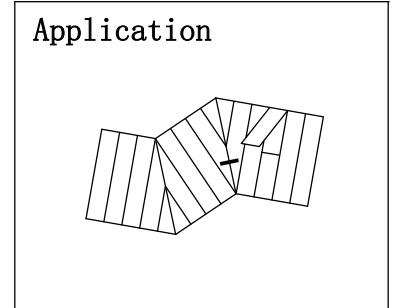
# ROOF VALLEY GUTTER DETAIL

---

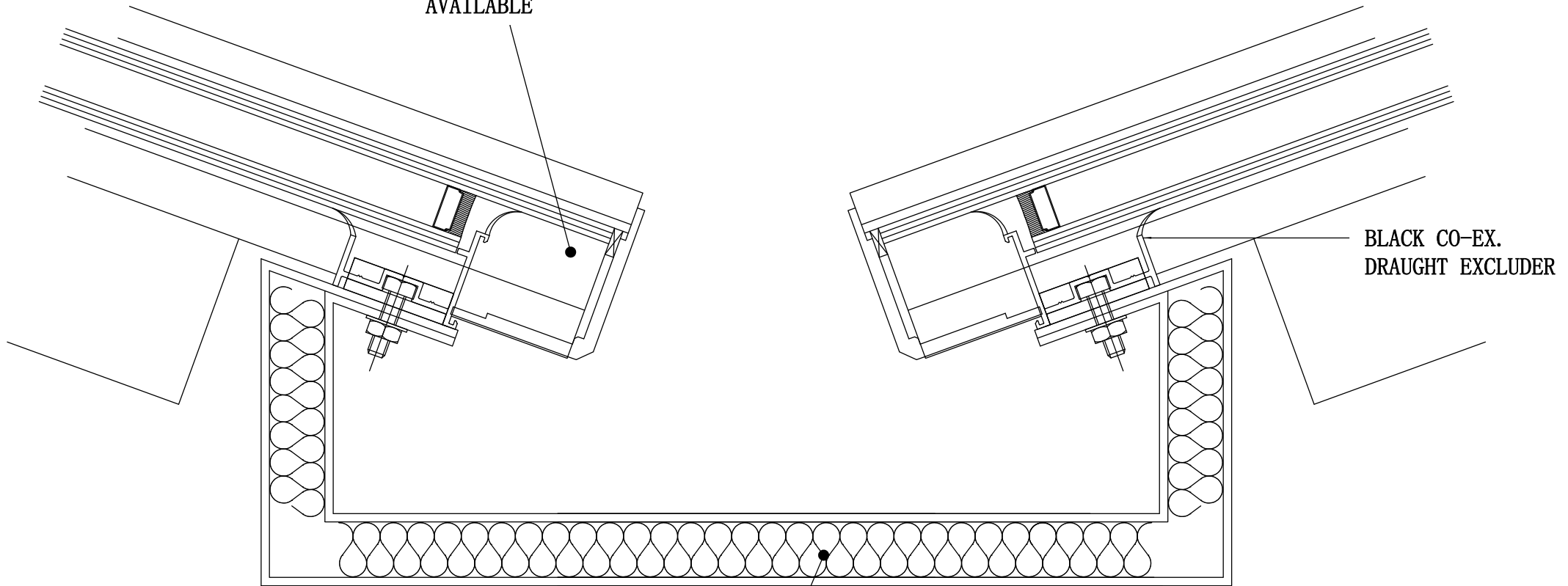
## ALUMINIUM OR GALVANISED STEEL

---

SCALE 1:2 on A4



OPTIONAL CLOSER FOR  
STEPPED UNITS IS  
AVAILABLE



BLACK CO-EX.  
DRAUGHT EXCLUDER

ENSURE SIZE OF GUTTER IS  
SUFFICIENT TO AVOID  
OVERFLOW

INSULATED GUTTER

STRUCTURAL SUPPORT REQUIRED  
FOR PRESSED ALUMINIUM GUTTERS