



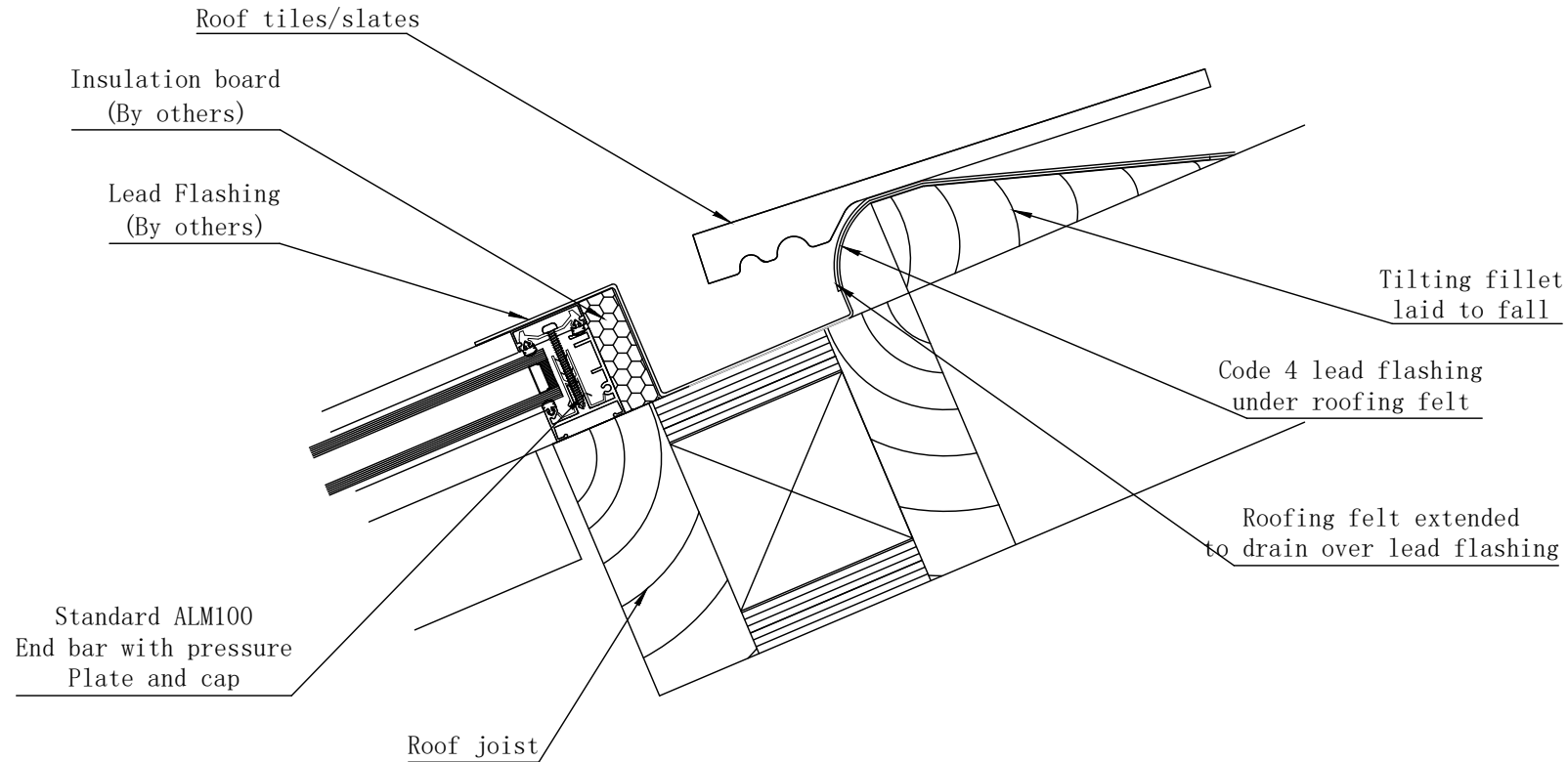
**LONSDALE METAL Co. LTD**

London N17 9QU  
 TEL: 020 8801 4221 FAX: 020 8801 1287  
 Email: info@lonsdalemetal.co.uk  
 www.lonsdalemetal.co.uk

**DRAWING TITLE:**

**VERTICAL SECTION THROUGH  
 ROOFLIGHT PERIMETER TOP DETAIL**

**SCALE: 1:4 AT A4**



Minimum  
pitch  
required 20°

<b>PROJECT:</b>	REV	DATE		DRAWN	VM
TECHNICAL CATALOGUE DETAIL THERMGARD				DATE	01/2024
				DRG. No.	THE 38-TRIL