



LONSDALEMETAL Co. LTD

London N17 9QU

TEL: 020 8801 4221 FAX: 020 8801 1287

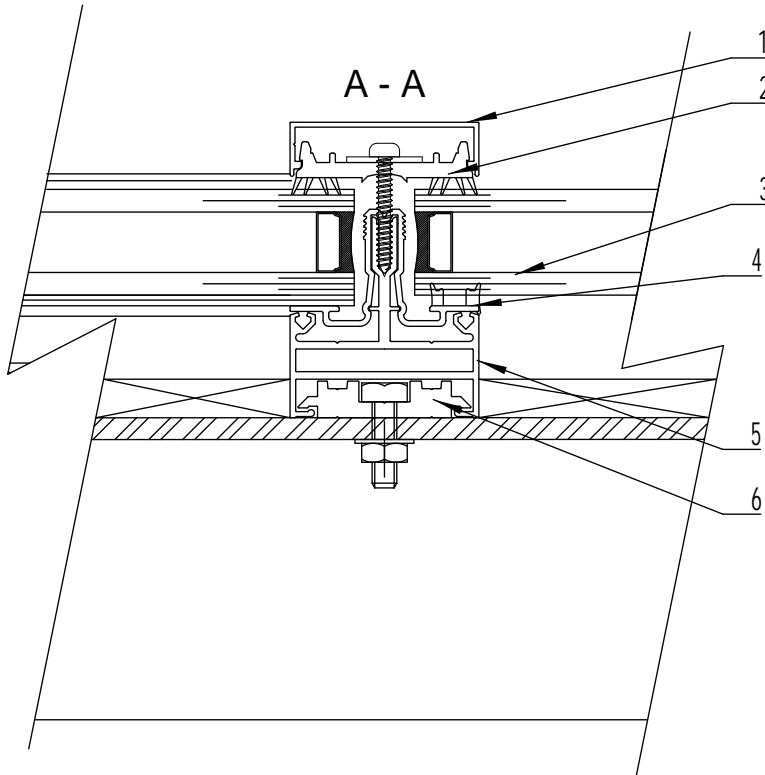
Email: info@lonsdalemetal.co.uk

www.lonsdalemetal.co.uk

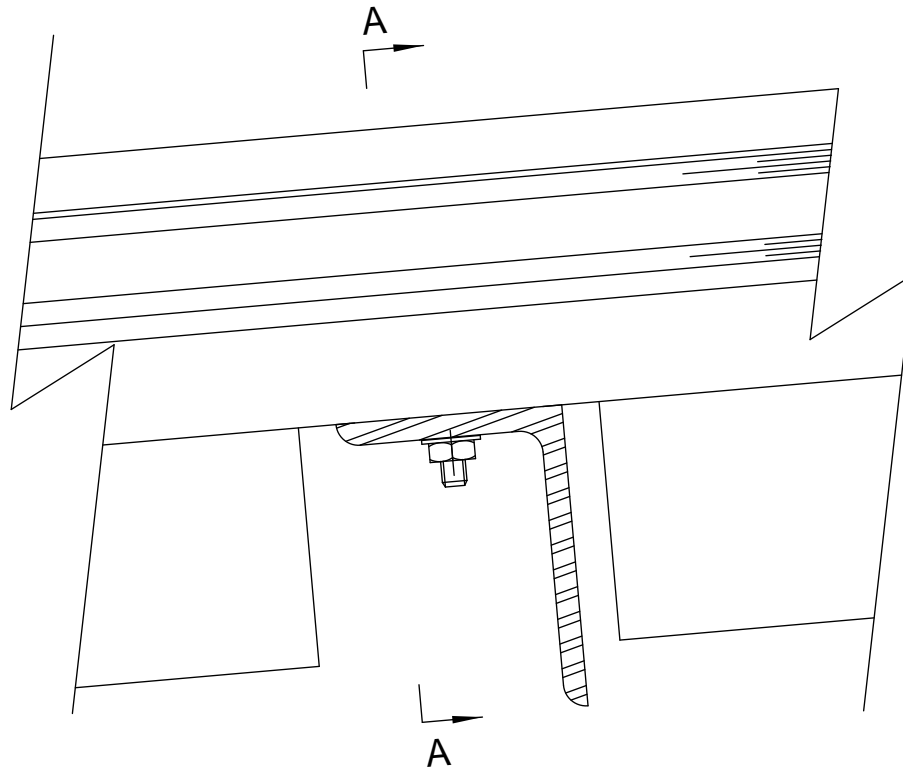
DRAWING TITLE:

**SAFEGARDTG50 INTERMEDIATESUPPORT
DETAIL**

SCALE: 1:2 AT A4



- 1. ALUMINIUM SNAP-ON COVER
- 2. PVC CO-EXTRUDED PRESSURE PLATE
- 3. STANDARD DGU 1.2 W*M²/K
- 4. PVC CO-EXTRUDED CARRIER RAIL THERMAL LINER
- 5. ALUMINIUM CARRIER RAIL
- 6. METAL FIXING SHOE WITH M8 BOLT



PROJECT:	REV	DATE		DRAWN	VM
				DATE	07/2024
TECHNICAL CATALOGUE DETAIL SAFEGARDTG50				DRG. No.	TG-25b