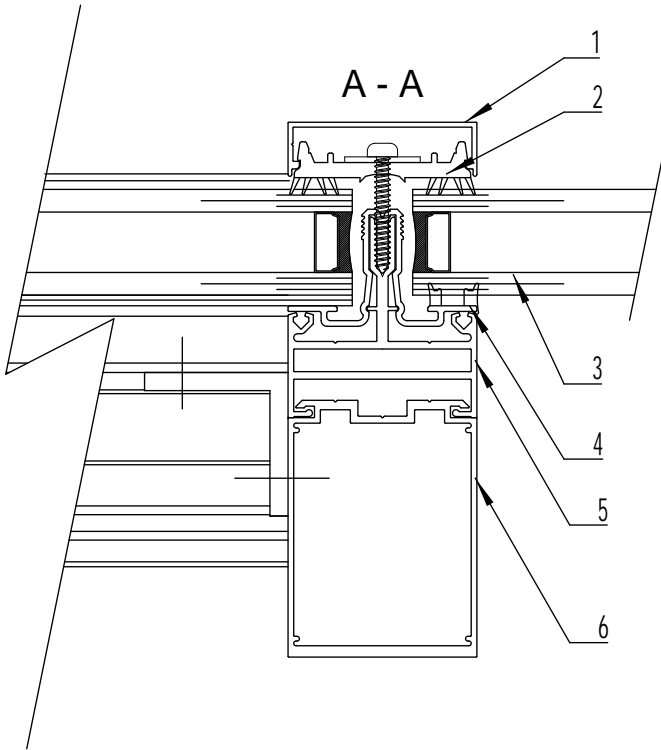




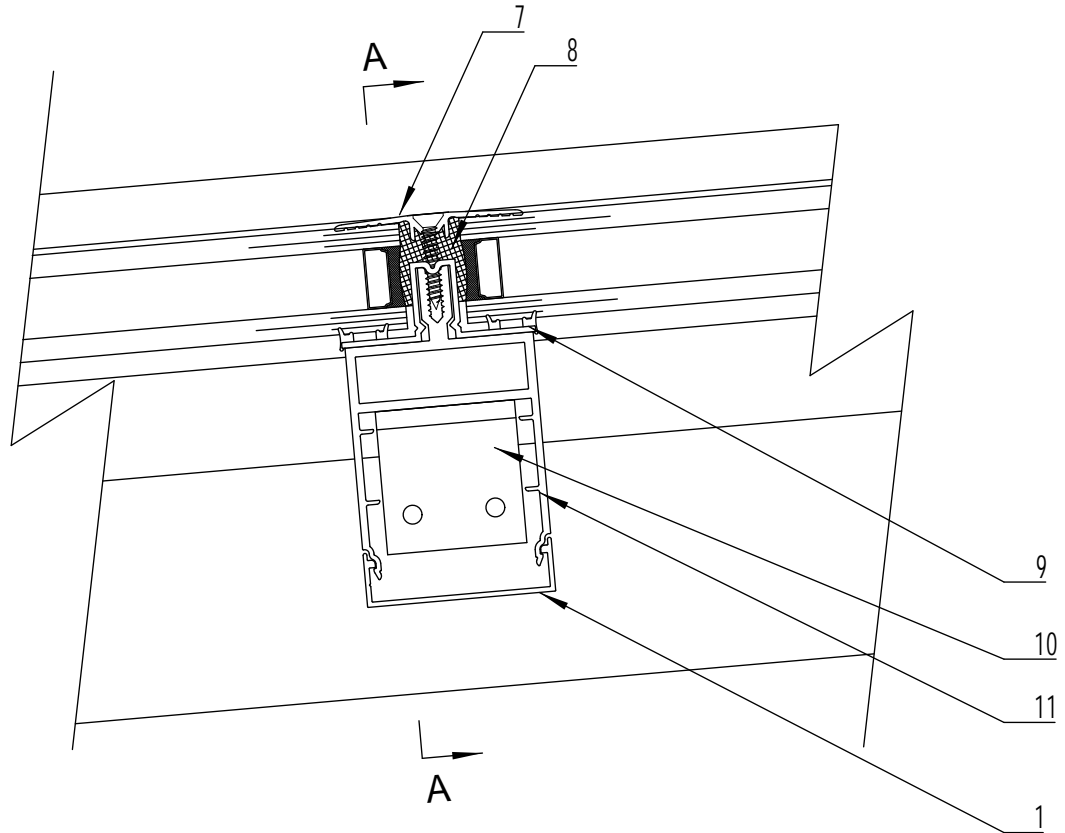
**LONSDALEMETAL Co. LTD**  
 London N17 9QU  
 TEL: 020 8801 4221 FAX: 020 8801 1287  
 Email: info@lonsdalemetal.co.uk  
 www.lonsdalemetal.co.uk

**DRAWING TITLE:**  
**SAFEGARDTG50 SELF-SUPPORTING  
 TRANSOMBAR DETAIL**

SCALE: 1:2 AT A4



1. ALUMINIUM SNAP-ON COVER
2. PVC CO-EXTRUDED PRESSURE PLATE
3. STANDARD DGU 1.2 W\*M<sup>2</sup>/K
4. PVC CO-EXTRUDED CARRIER RAIL THERMAL LINER
5. ALUMINIUM CARRIER RAIL
6. ALUMINIUM BOX SECTION
7. ALUMINIUM TRANSOM PRESSURE PLATE
8. STRUCTURAL SILICONE SEALANT
9. PVC CO-EXTRUDED TRANSOM THERMAL LINER
10. ALUMINIUM TRANSOM BRACKET
11. SELF-SUPPORTING ALUMINIUM TRANSOM



<b>PROJECT:</b>  <b>TECHNICAL CATALOGUE DETAIL SAFEGARDTG50</b>	REV	DATE		DRAWN	VM
				DATE	07/2024
				DRG. No.	TG-25