



LONSDALEMETAL Co. LTD

London N17 9QU

TEL: 020 8801 4221 FAX: 020 8801 1287

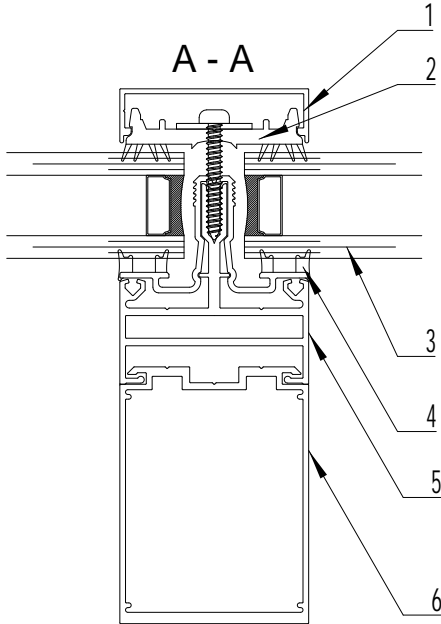
Email: info@lonsdalemetal.co.uk

www.lonsdalemetal.co.uk

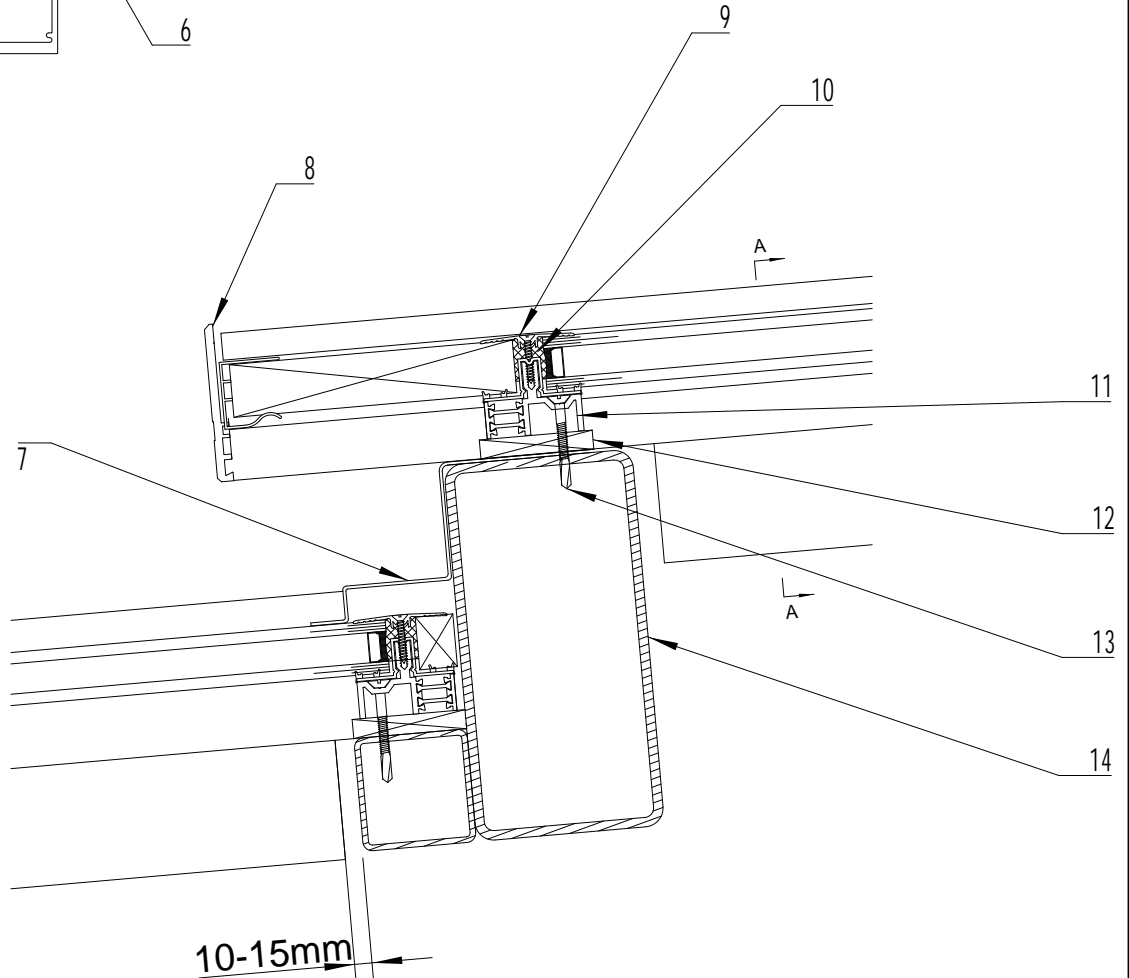
DRAWING TITLE:

SAFEGARDTG50 TIER DETAIL TO METAL WITH ALUMINIUM FLASHING

SCALE: 1:4 AT A4



- 1. ALUMINIUM SNAP-ON COVER
- 2. PVC CO-EXTRUDED PRESSURE PLATE
- 3. STANDARD DGU 1.2 W*M²/K
- 4. PVC CO-EXTRUDED CARRIER RAIL THERMAL LINER
- 5. ALUMINIUM CARRIER RAIL
- 6. ALUMINIUM BOX SECTION
- 7. 16 SWG ALUMINIUM FLASHING
- 8. ALUMINIUM SCREW-ON GLASS STOP
- 9. ALUMINIUM TRANSOM PRESSURE PLATE
- 10. SILICONE SEALANT
- 11. THERMALLY BROKEN ALUMINIUM HEAD/EAVES TRANSOM POWDER COATED TO RAL 9005 MATT BLACK AS STANDARD
- 12. 10MM SPACER (BY OTHERS)
- 13. SELF-DRILLING SCREW (BY OTHERS)
- 14. STEEL STRUCTURE (BY OTHERS)



PROJECT: TECHNICAL CATALOGUE DETAIL SAFEGARDTG50	REV	DATE		DRAWN	VM
				DATE	07/2024
				DRG. No.	TG-24M