

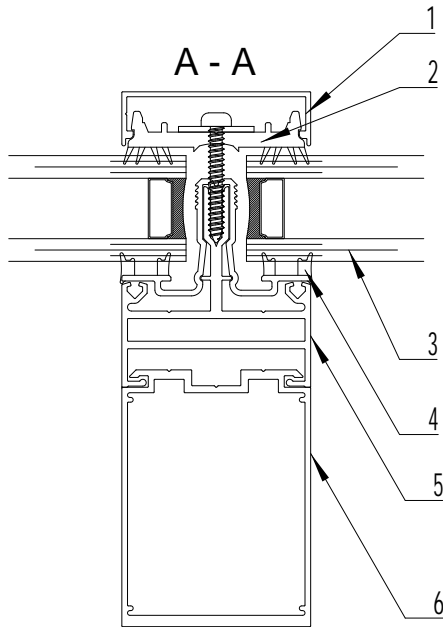


LONSDALEMETAL Co. LTD

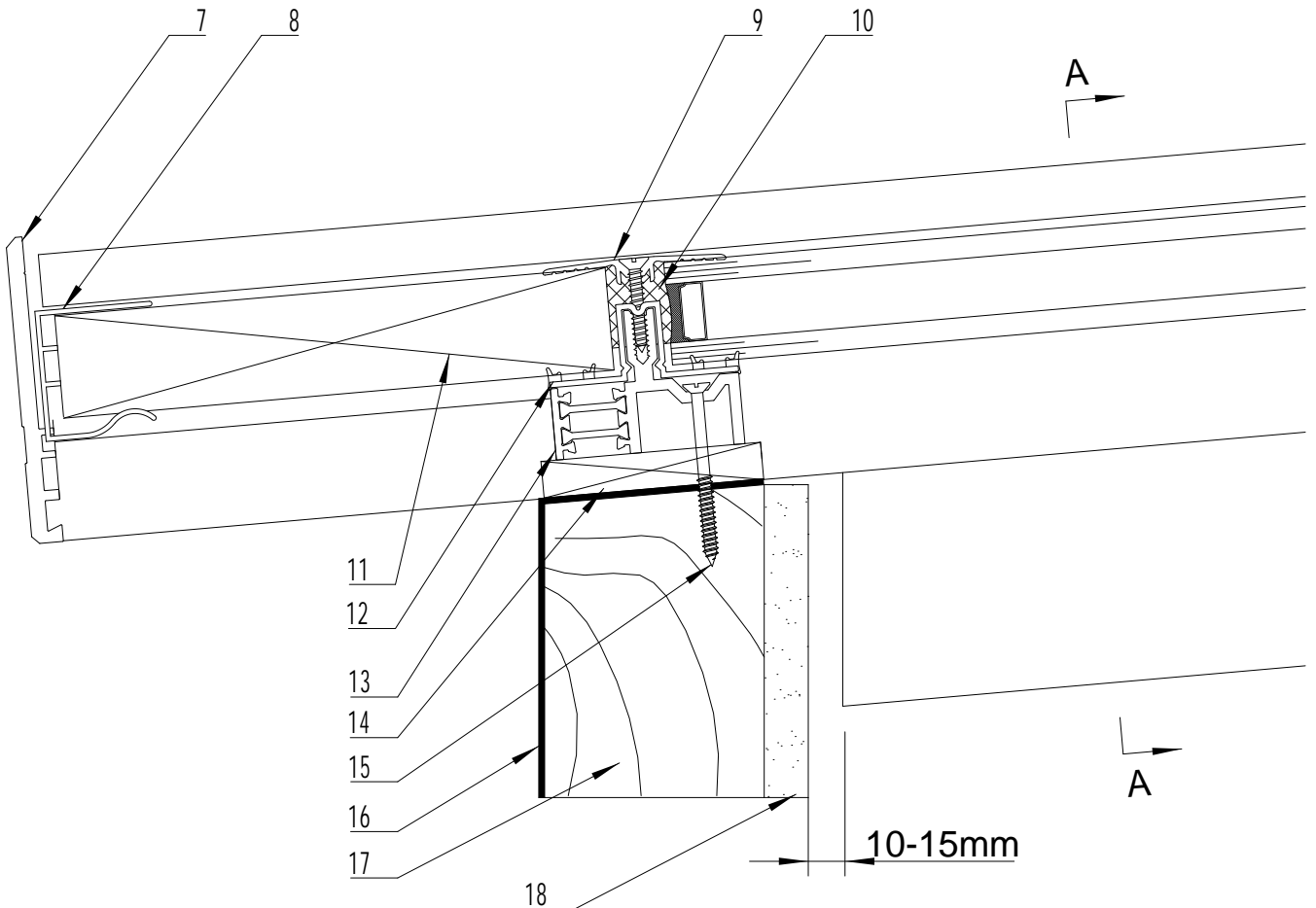
London N17 9QU
 TEL: 020 8801 4221 FAX: 020 8801 1287
 Email: info@lonsdalemetal.co.uk
 www.lonsdalemetal.co.uk

DRAWING TITLE:
SAFEGARDTG50 EAVES DETAIL TO TIMBER

SCALE: 1:2 AT A4



- 1. ALUMINIUM SNAP-ON COVER
- 2. PVC CO-EXTRUDED PRESSURE PLATE
- 3. STANDARD DGU 1.2 W*M²/K
- 4. PVC CO-EXTRUDED CARRIER RAIL THERMAL LINER
- 5. ALUMINIUM CARRIER RAIL
- 6. ALUMINIUM BOX SECTION
- 7. SCREW-ON ALUMINIUM GLASS STOP
- 8. ALUMINIUM UNIT CLOSURE
- 9. ALUMINIUM TRANSOM PRESSURE PLATE
- 10. SILICONE SEALANT
- 11. INSULATION PANEL OR DGU (BY OTHERS)
- 12. PVC CO-EXTRUDED TRANSOM THERMAL LINER
- 13. THERMALLY BROKEN ALUMINIUM EAVES TRANSOM POWDER COATED TO RAL 9005 MATT BLACK AS STANDARD
- 14. 10MM SPACER (BY OTHERS)
- 15. 2" WOOD SCREW
- 16. ROOF FINISH (BY OTHERS)
- 17. TIMBER CURB (BY OTHERS)
- 18. PLASTERBOARD AND SKIM (BY OTHERS)



PROJECT: TECHNICAL CATALOGUE DETAIL SAFEGARDTG50	REV	DATE	DRAWN	VM
			DATE	07/2024
			DRG. No.	TG-22T