



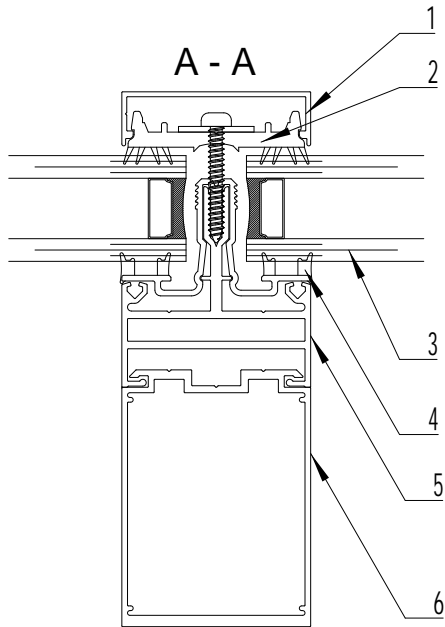
**LONSDALEMETAL Co. LTD**

London N17 9QU  
 TEL: 020 8801 4221 FAX: 020 8801 1287  
 Email: info@lonsdalemetal.co.uk  
 www.lonsdalemetal.co.uk

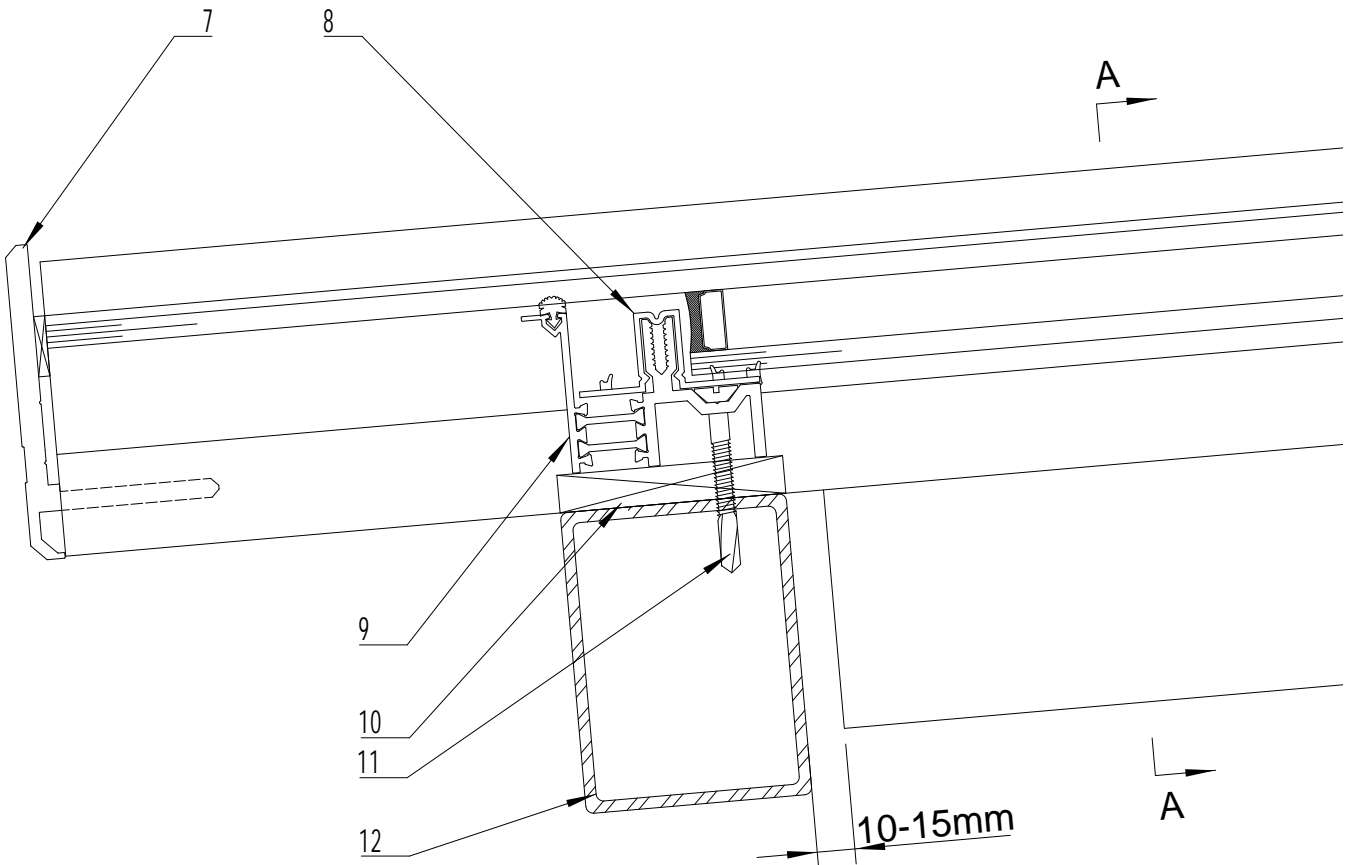
**DRAWING TITLE:**

**SAFEGARDTG50 STEPPED EAVES DETAIL TO METAL**

SCALE: 1:2 AT A4



- 1. ALUMINIUM SNAP-ON COVER
- 2. PVC CO-EXTRUDED PRESSURE PLATE
- 3. STANDARD DGU 1.2 W\*M²/K
- 4. PVC CO-EXTRUDED CARRIER RAIL THERMAL LINER
- 5. ALUMINIUM CARRIER RAIL
- 6. ALUMINIUM BOX SECTION
- 7. HEAVY DUTY ALUMINIUM GLASS STOP
- 8. PVC CO-EXTRUDED TRANSOM THERMAL LINER
- 9. THERMALLY BROKEN ALUMINIUM EAVES TRANSOM POWDER COATED TO RAL 9005 MATT BLACK AS STANDARD
- 10. 10MM SPACER (BY OTHERS)
- 11. SELF-DRILLING SCREW (BY OTHERS)
- 12. STEEL STRUCTURE (BY OTHERS)



**PROJECT:**

TECHNICAL CATALOGUE DETAIL  
 SAFEGARDTG50

REV	DATE	

DRAWN	VM
DATE	07/2024
DRG. No.	TG-22MS