



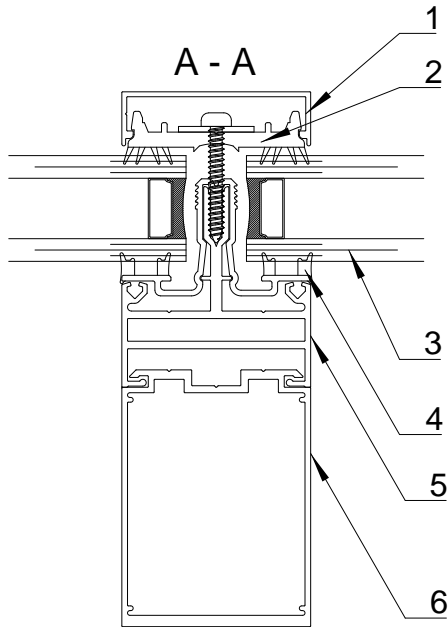
LONSDALEMETAL Co. LTD

London N17 9QU
 TEL: 020 8801 4221 FAX: 020 8801 1287
 Email: info@lonsdalemetal.co.uk
 www.lonsdalemetal.co.uk

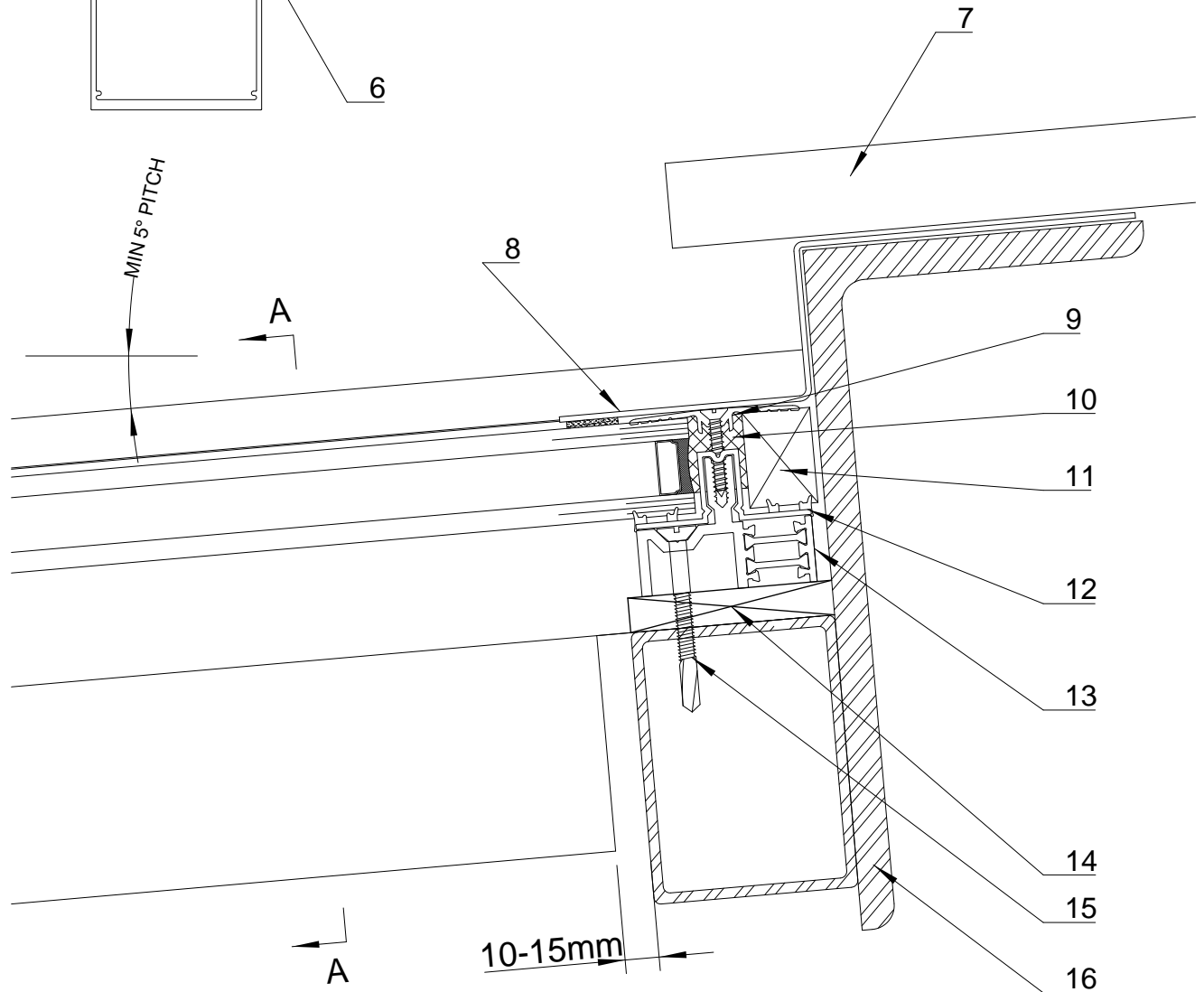
DRAWING TITLE:

SAFEGARDTG50 TOP DETAIL TO METAL WITH ALUMINIUM FLASHING

SCALE: 1:2 AT A4



- 1. ALUMINIUM SNAP-ON COVER
- 2. PVC CO-EXTRUDED PRESSURE PLATE
- 3. STANDARD DGU 1.2 W*M²/K
- 4. PVC CO-EXTRUDED CARRIER RAIL THERMAL LINER
- 5. ALUMINIUM CARRIER RAIL
- 6. ALUMINIUM BOX SECTION
- 7. CLADDING (BY OTHERS)
- 8. 16SWG ALUMINIUM FLASHING
- 9. ALUMINIUM TRANSOM PRESSURE PLATE
- 10. SILICONE SEALANT
- 11. SPACER, SAME THICKNESS AS DGU. (BY OTHERS)
- 12. PVC CO-EXTRUDED TRANSOM THERMAL LINER
- 13. THERMALLY BROKEN ALUMINIUM HEAD TRANSOM POWDER COATED TO RAL 9005 MATT BLACK AS STANDARD
- 14. 10MM SPACER (BY OTHERS)
- 15. SELF-DRILLING SCREW (BY OTHERS)
- 16. STEEL STRUCTURE (BY OTHERS)



| | | | | | |
|---|-----|------|--|----------|---------|
| PROJECT: TECHNICAL CATALOGUE DETAIL SAFEGARDTG50 | REV | DATE | | DRAWN | VM |
| | | | | DATE | 07/2024 |
| | | | | DRG. No. | TG-21Ma |
| | | | | | |