



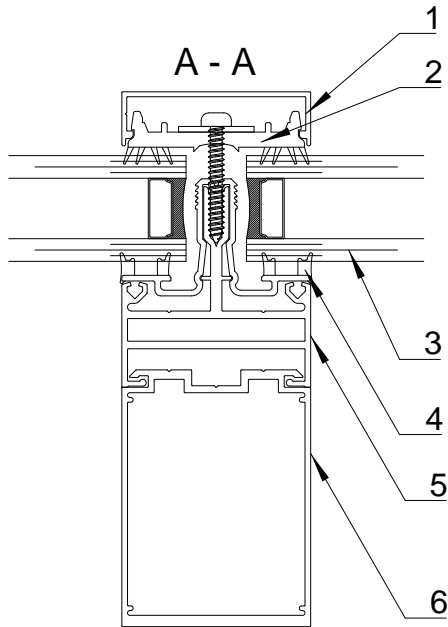
**LONSDALEMETAL Co. LTD**

London N17 9QU  
 TEL: 020 8801 4221 FAX: 020 8801 1287  
 Email: info@lonsdalemetal.co.uk  
 www.lonsdalemetal.co.uk

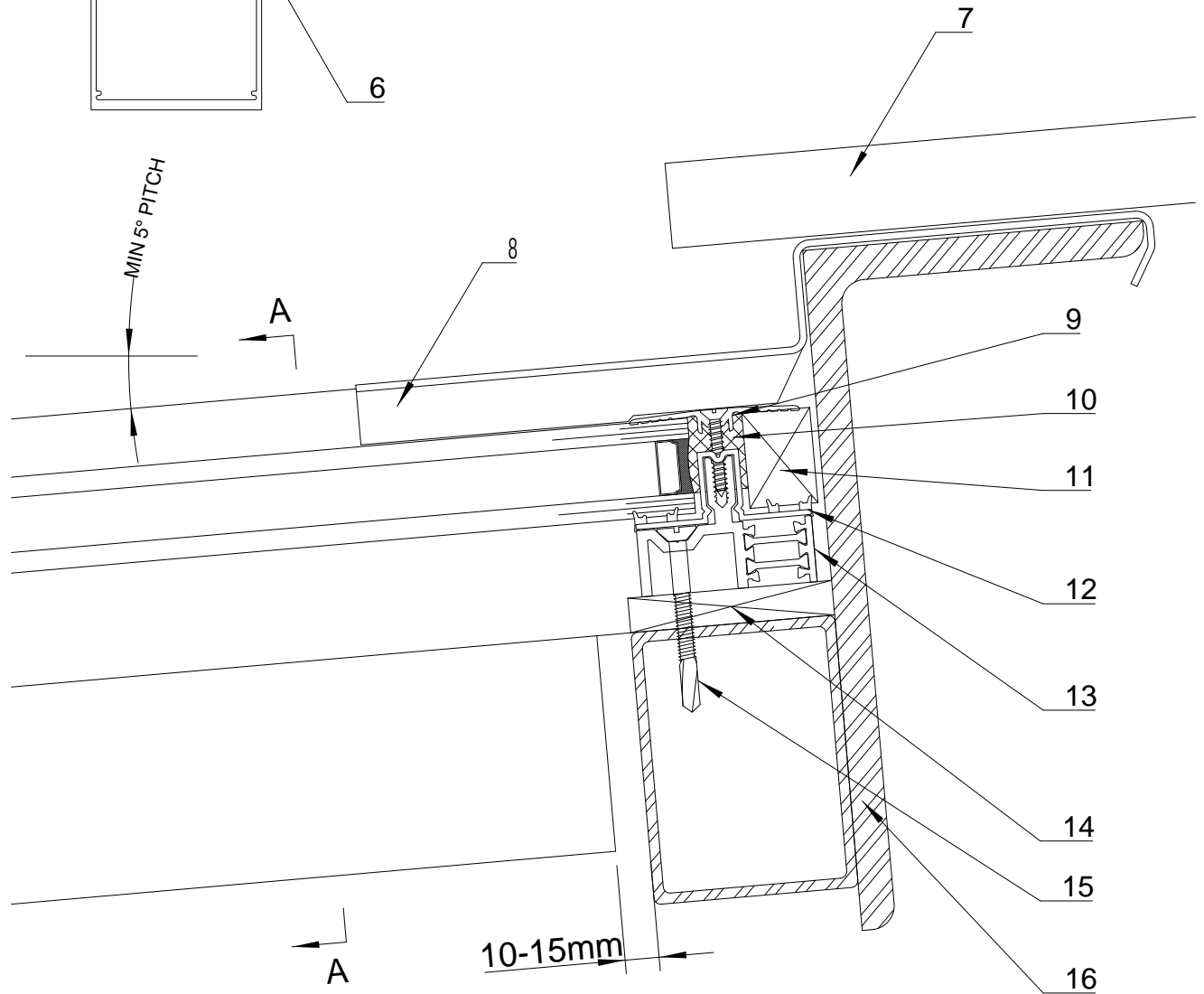
**DRAWING TITLE:**

**SAFEGARDTG50 TOP DETAIL TO METAL WITH LEAD FLASHING**

SCALE: 1:2 AT A4



- 1. ALUMINIUM SNAP-ON COVER
- 2. PVC CO-EXTRUDED PRESSURE PLATE
- 3. STANDARD DGU 1.2 W\*M²/K
- 4. PVC CO-EXTRUDED CARRIER RAIL THERMAL LINER
- 5. ALUMINIUM CARRIER RAIL
- 6. ALUMINIUM BOX SECTION
- 7. CLADDING (BY OTHERS)
- 8. CODE 4 LEAD FLASHING (BY OTHERS)
- 9. ALUMINIUM TRANSOM PRESSURE PLATE
- 10. SILICONE SEALANT
- 11. SPACER, SAME THICKNESS AS DGU. (BY OTHERS)
- 12. PVC CO-EXTRUDED TRANSOM THERMAL LINER
- 13. THERMALLY BROKEN ALUMINIUM HEAD TRANSOM POWDER COATED TO RAL 9005 MATT BLACK AS STANDARD
- 14. 10MM SPACER (BY OTHERS)
- 15. SELF-DRILLING SCREW (BY OTHERS)
- 16. STEEL STRUCTURE (BY OTHERS)



**PROJECT:**

TECHNICAL CATALOGUE DETAIL  
 SAFEGARDTG50

REV	DATE	

DRAWN VM

DATE 07/2024

DRG. No. TG-21M