



LONSDALEMETAL Co. LTD

London N17 9QU

TEL: 020 8801 4221 FAX: 020 8801 1287

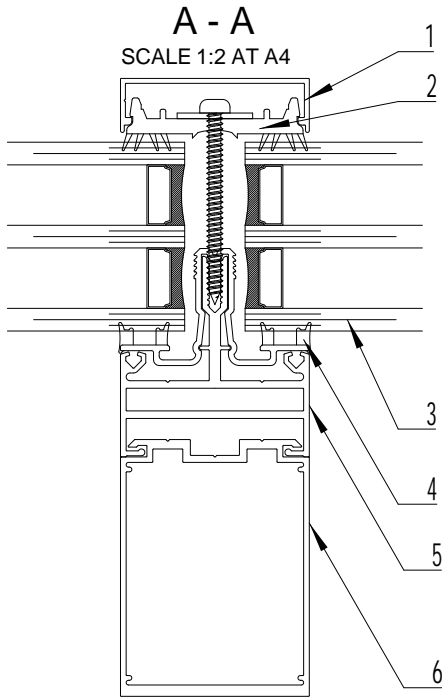
Email: info@lonsdalemetal.co.uk

www.lonsdalemetal.co.uk

DRAWING TITLE:

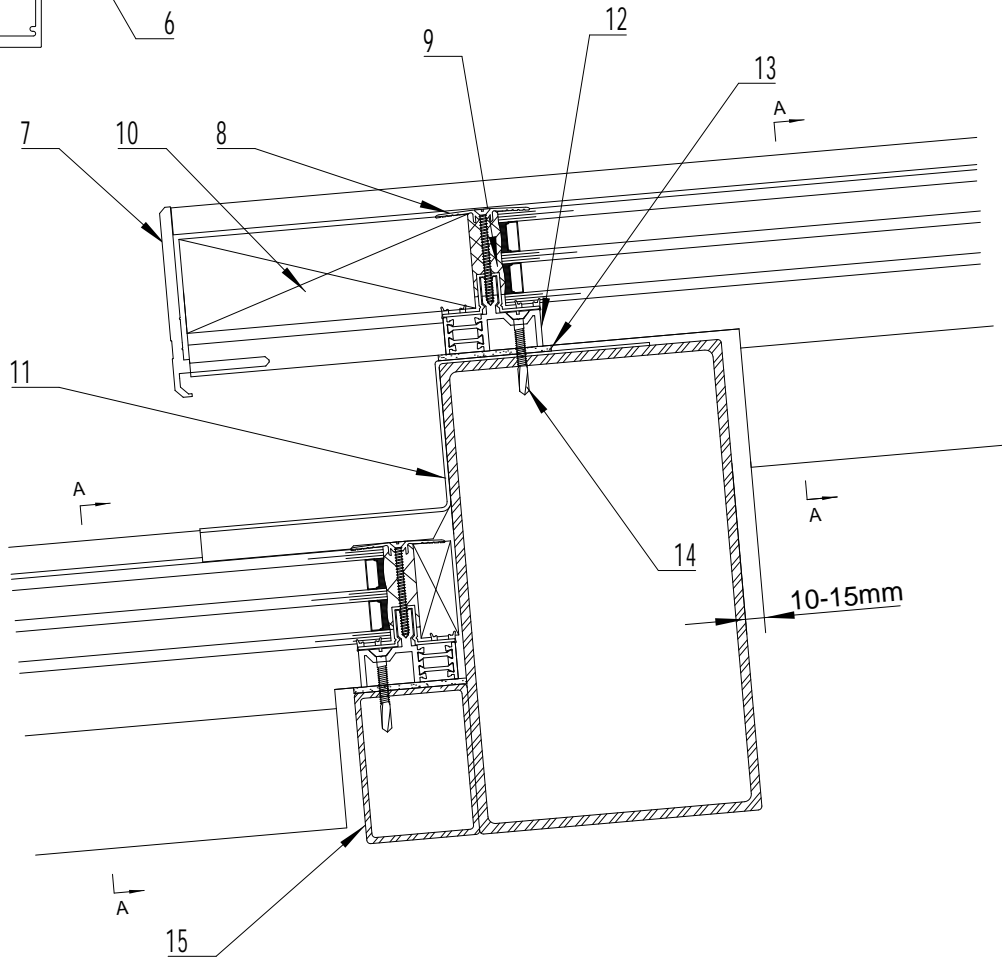
**SAFEGARDTG50 TRIPLE GLAZED TIER
DETAIL TO METAL WITH LEAD FLASHING**

SCALE: 1:4 & 1:2 AT A4



- 1. ALUMINIUM SNAP-ON COVER
- 2. PVC CO-EXTRUDED PRESSURE PLATE
- 3. TRIPLE GLAZING UNIT 0.8 W*M²/K
- 4. PVC CO-EXTRUDED CARRIER RAIL THERMAL LINER
- 5. ALUMINIUM CARRIER RAIL
- 6. ALUMINIUM BOX SECTION

- 7. ALUMINIUM GLASS STOP
- 8. ALUMINIUM TRANSOM PRESSURE PLATE
- 9. SILICONE SEALANT
- 10. INSULATION PANEL OR GLAZING UNIT (BY OTHERS)
- 11. CODE 4 LEAD FLASHING
- 12. THERMALLY BROKEN ALUMINIUM EAVES/HEAD TRANSOM POWDER COATED TO RAL 9005 MATT BLACK AS STANDARD
- 13. NEOPRENE/EPDM TAPE. 3X60MM
- 14. SELF-DRILLING SCREW
- 15. STEEL STRUCTURE (BY OTHERS)



PROJECT: TECHNICAL CATALOGUE DETAIL SAFEGARDTG50	REV	DATE		DRAWN	VM
				DATE	07/2024
				DRG. No.	TG-44M