



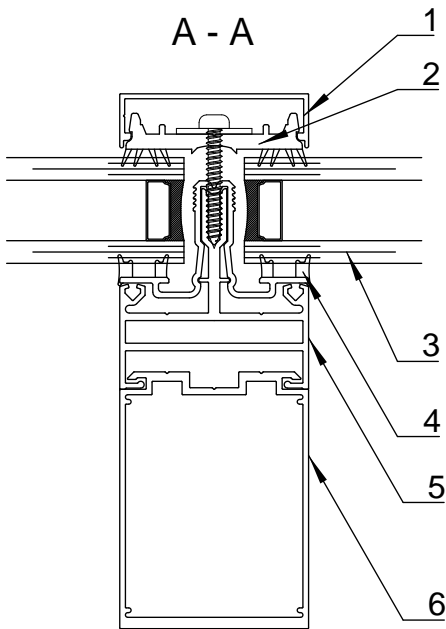
LONSDALEMETAL Co. LTD

London N17 9QU
 TEL: 020 8801 4221 FAX: 020 8801 1287
 Email: info@lonsdalemetal.co.uk
 www.lonsdalemetal.co.uk

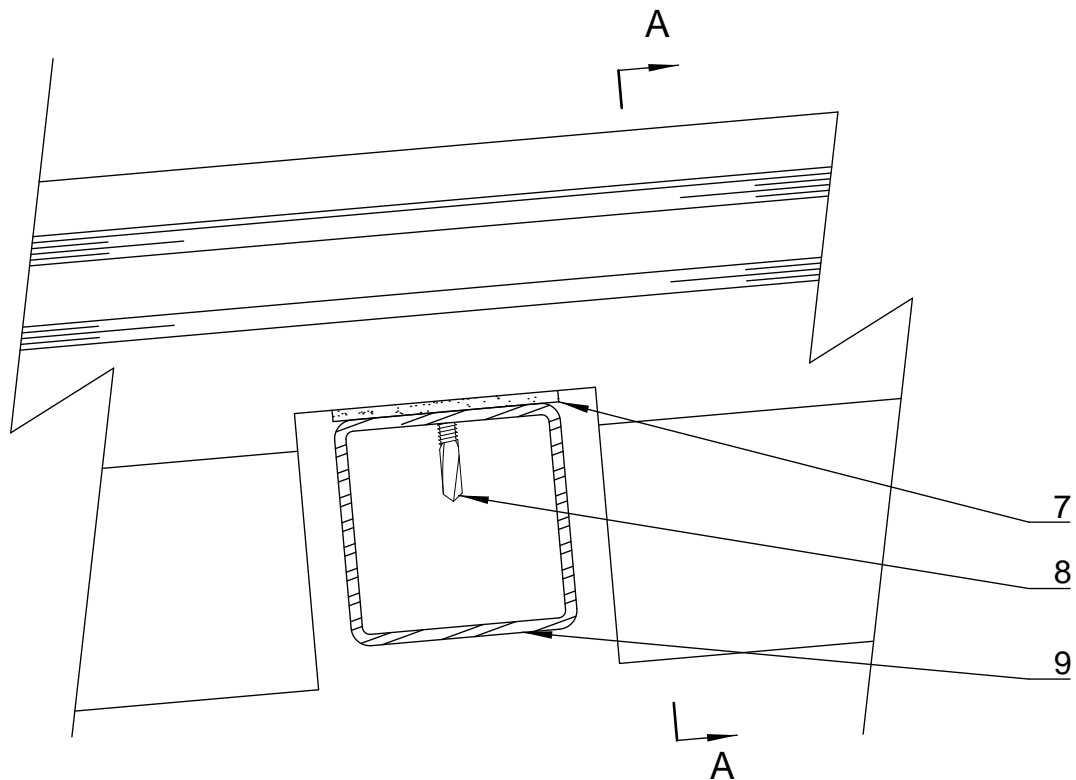
DRAWING TITLE:

SAFEGARDTG50 INTERMEDIATESUPPORT TO METAL

SCALE: 1:2 AT A4



- 1. ALUMINIUM SNAP-ON COVER
- 2. PVC CO-EXTRUDED PRESSURE PLATE
- 3. STANDARD DGU 1.2 W*M²/K
- 4. PVC CO-EXTRUDED CARRIER RAIL THERMAL LINER
- 5. ALUMINIUM CARRIER RAIL
- 6. ALUMINIUM BOX SECTION
- 7. NEOPRENE/EPDM TAPE. 3X60MM
- 8. SELF-DRILLING SCREW
- 9. STEEL STRUCTURE (BY OTHERS)



PROJECT:

**TECHNICAL CATALOGUE DETAIL
 SAFEGARDTG50**

REV	DATE	

DRAWN VM
 DATE 07/2024
 DRG. No. TG-5b