



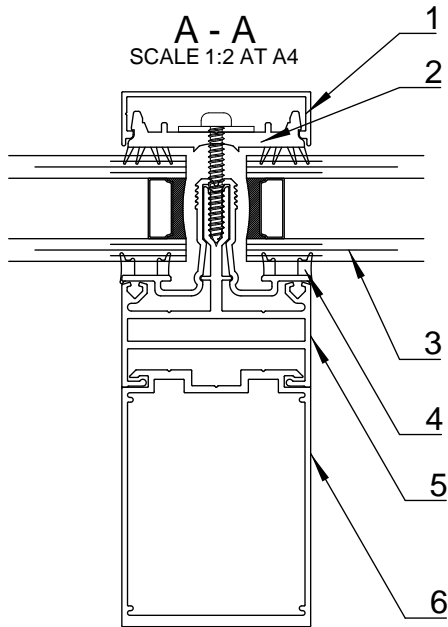
LONSDALEMETAL Co. LTD

London N17 9QU
 TEL: 020 8801 4221 FAX: 020 8801 1287
 Email: info@lonsdalemetal.co.uk
 www.lonsdalemetal.co.uk

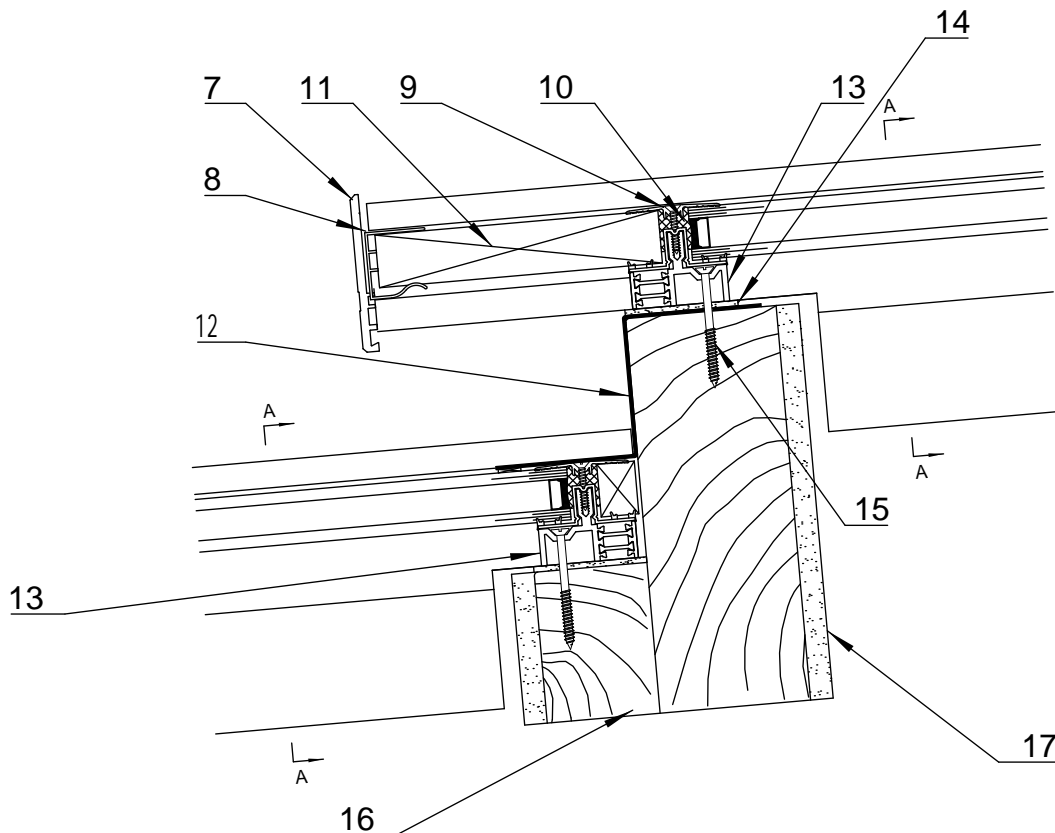
DRAWING TITLE:

SAFEGARDTG50 TIER DETAIL TO TIMBER WITH ALUMINIUM FLASHING

SCALE: 1:4 AT A4



- 1. ALUMINIUM SNAP-ON COVER
- 2. PVC CO-EXTRUDED PRESSURE PLATE
- 3. STANDARD DGU 1.2 W*M²/K
- 4. PVC CO-EXTRUDED CARRIER RAIL THERMAL LINER
- 5. ALUMINIUM CARRIER RAIL
- 6. ALUMINIUM BOX SECTION
- 7. SCREW-ON ALUMINIUM GLASS STOP
- 8. ALUMINIUM SHEET CLOSURE
- 9. ALUMINIUM TRANSOM PRESSURE PLATE
- 10. SILICONE SEALANT
- 11. INSULATION PANEL OR DGU (BY OTHERS)
- 12. 16SWG ALUMINIUM FLASHING
- 13. THERMALLY BROKEN ALUMINIUM EAVES/HEAD TRANSOM POWDER COATED TO RAL 9005 MATT BLACK AS STANDARD
- 14. NEOPRENE/EPDM TAPE. 3X60MM
- 15. WOOD SCREW
- 16. TIMBER STRUCTURE (BY OTHERS)
- 17. PLASTERBOARD AND SKIM (BY OTHERS)



PROJECT:	REV	DATE		DRAWN	VM
				DATE	07/2024
TECHNICAL CATALOGUE DETAIL SAFEGARDTG50				DRG. No.	TG-4T