



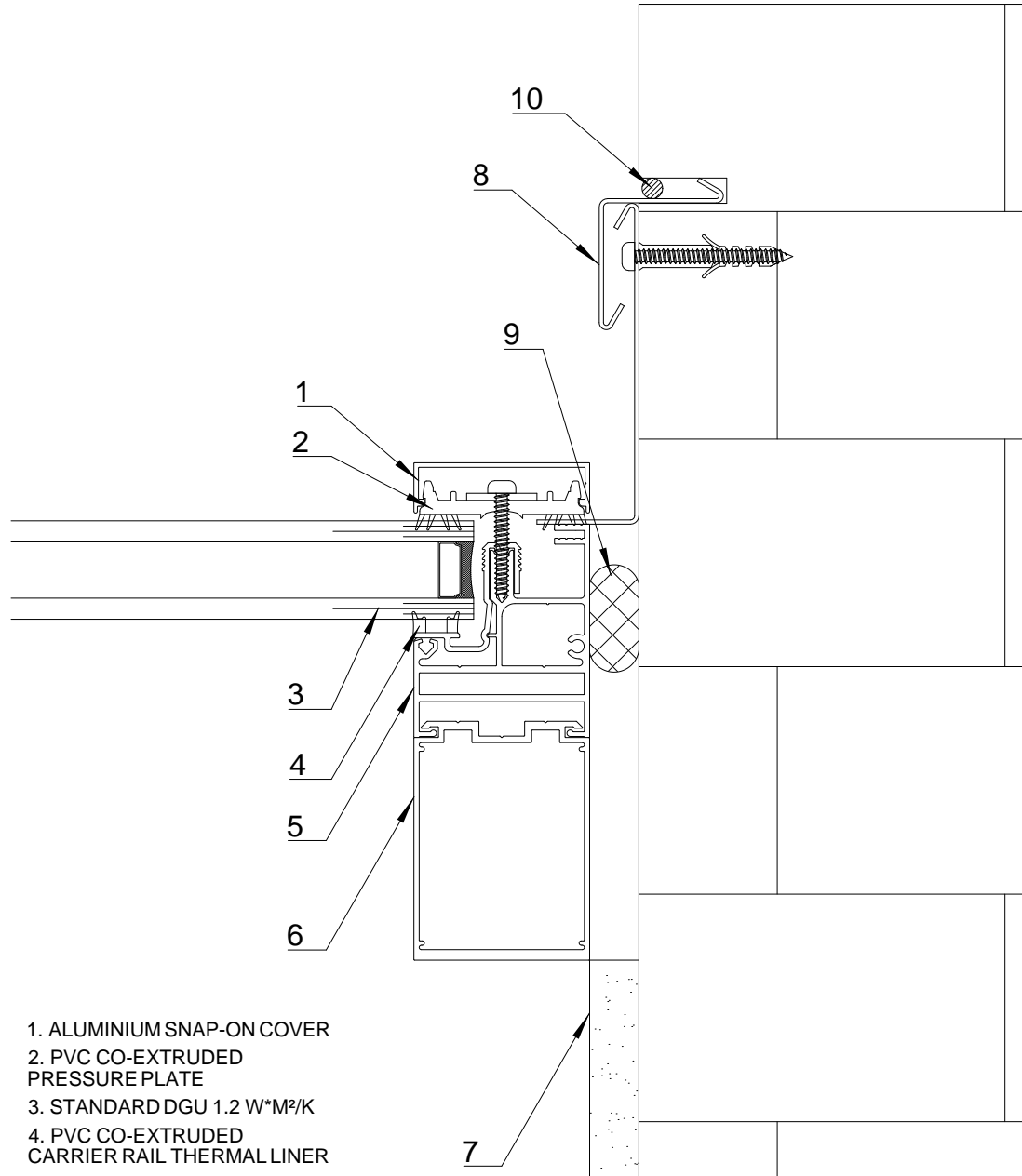
LONSDALEMETAL Co. LTD

London N17 9QU
 TEL: 020 8801 4221 FAX: 020 8801 1287
 Email: info@lonsdalemetal.co.uk
 www.lonsdalemetal.co.uk

DRAWING TITLE:

SAFEGARDTG50 PARAPETDETAIL WITH ALUMINIUM FLASHING

SCALE: 1:2 AT A4



- 1. ALUMINIUM SNAP-ON COVER
- 2. PVC CO-EXTRUDED PRESSURE PLATE
- 3. STANDARD DGU 1.2 W*M²/K
- 4. PVC CO-EXTRUDED CARRIER RAIL THERMAL LINER
- 5. ALUMINIUM CARRIER RAIL
- 6. ALUMINIUM BOX SECTION
- 7. PLASTERBOARD AND SKIM (BY OTHERS)
- 8. 16 SWG ALUMINIUM FLASHING
- 9. SILICONE SEALANT (BY INSTALLER)
- 10. BUTYL JOINT (BY OTHERS)

| | | | | | |
|--|-----|------|--|----------|---------|
| PROJECT: | REV | DATE | | DRAWN | VM |
| | | | | | |
| TECHNICAL CATALOGUE DETAIL SAFEGARDTG50 | | | | DATE | 07/2024 |
| | | | | DRG. No. | TG-3a |
| | | | | | |