



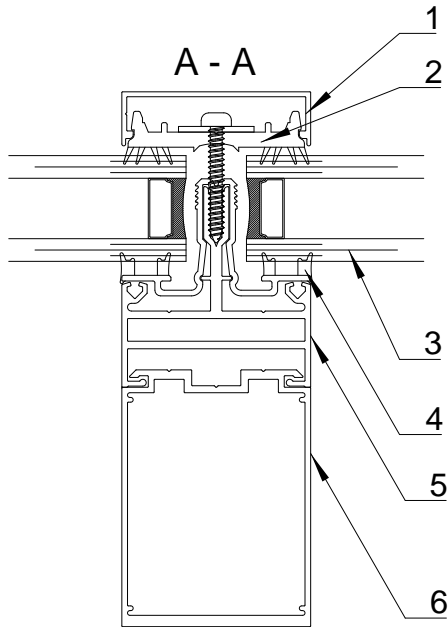
LONSDALEMETAL Co. LTD

London N17 9QU
 TEL: 020 8801 4221 FAX: 020 8801 1287
 Email: info@lonsdalemetal.co.uk
 www.lonsdalemetal.co.uk

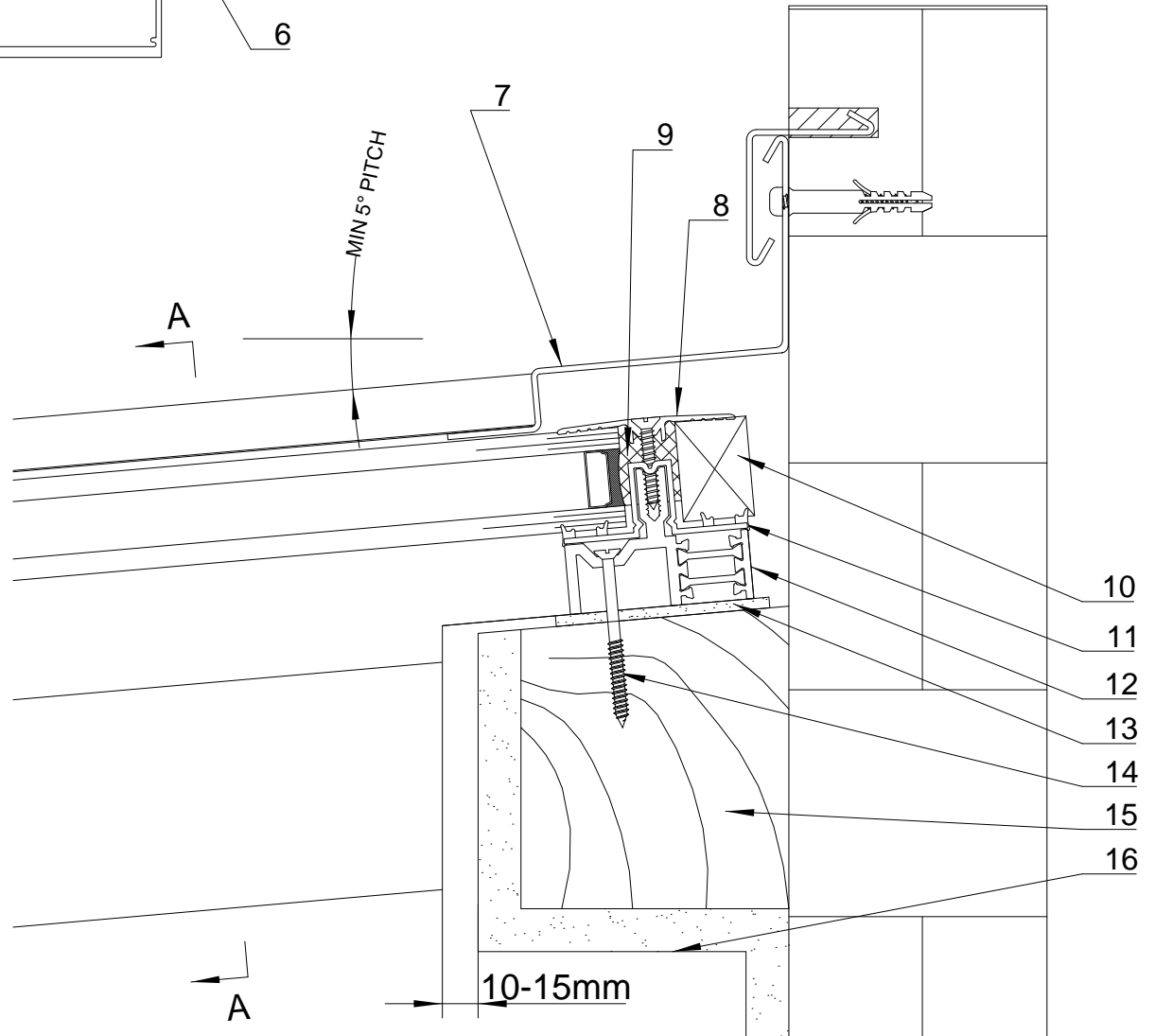
DRAWING TITLE:

SAFEGARDTG50 TOP DETAIL TO TIMBER WITH ALUMINIUM FLASHING

SCALE: 1:2 AT A4



- 1. ALUMINIUM SNAP-ON COVER
- 2. PVC CO-EXTRUDED PRESSURE PLATE
- 3. STANDARD DGU 1.2 W*M²/K
- 4. PVC CO-EXTRUDED CARRIER RAIL THERMAL LINER
- 5. ALUMINIUM CARRIER RAIL
- 6. ALUMINIUM BOX SECTION
- 7. 16SWG ALUMINIUM FLASHING
- 8. ALUMINIUM TRANSOM PRESSURE PLATE
- 9. SILICONE SEALANT
- 10. SPACER, SAME THICKNESS AS DGU. (BY OTHERS)
- 11. PVC CO-EXTRUDED TRANSOM THERMAL LINER
- 12. THERMALLY BROKEN ALUMINIUM HEAD TRANSOM POWDER COATED TO RAL 9005 MATT BLACK AS STANDARD
- 13. NEOPRENE/EPDM TAPE. 3X60MM
- 14. WOOD SCREW
- 15. TIMBER WALL PLATE (BY OTHERS)
- 16. PLASTERBOARD AND SKIM (BY OTHERS)



PROJECT:

TECHNICAL CATALOGUE DETAIL
 SAFEGARDTG50

REV	DATE	

DRAWN VM

DATE 07/2024

DRG. No. TG-1Ta