

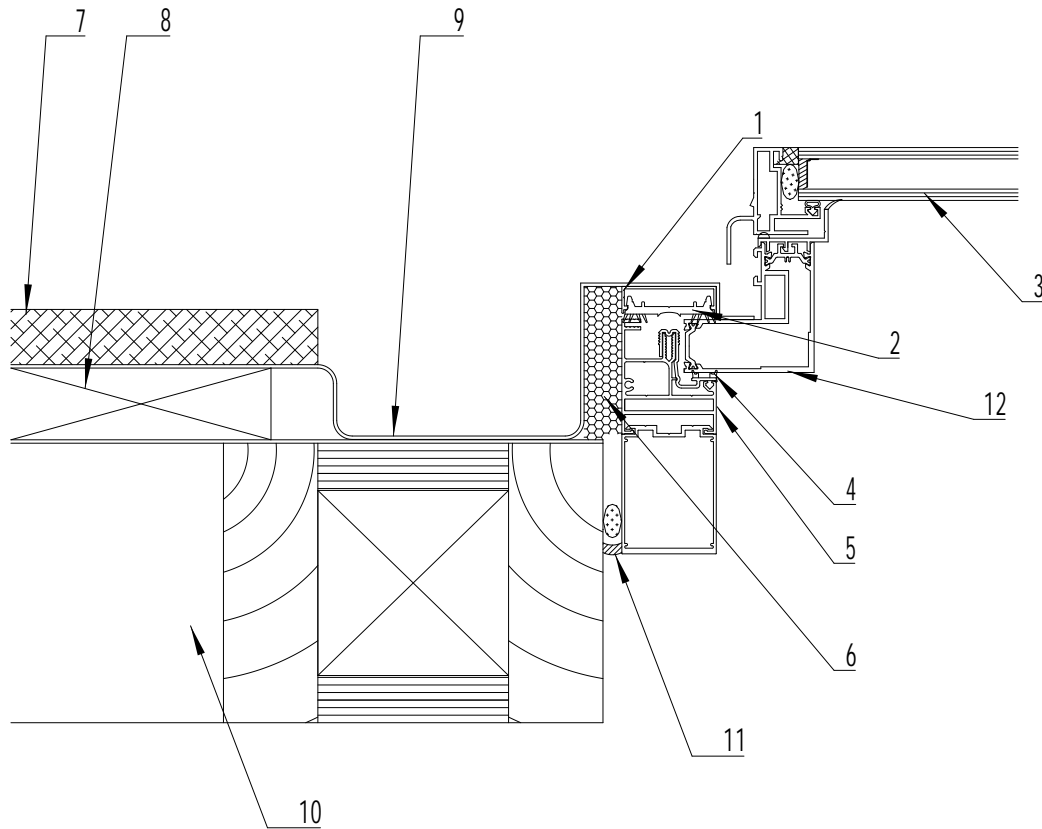
LONSDALEMETAL Co. LTD

London N17 9QU
 TEL: 020 8801 4221 FAX: 020 8801 1287
 Email: info@lonsdalemetal.co.uk
 www.lonsdalemetal.co.uk

DRAWING TITLE:

**SAFEGARDTG50 IN-LINE ROOFLIGHT SIDE
 DETAIL TO TIMBER WITH LEAD FLASHING**

SCALE: 1:4 AT A4



- | | |
|---|---|
| 1. ALUMINIUM SNAP-ON COVER | 7 - ROOF TILES (BY OTHERS) |
| 2. PVC CO-EXTRUDED PRESSURE PLATE | 8 - ROOF BATTENS (BY OTHERS) |
| 3. STANDARD DGU 1.2 W*M²/K | 9 - CODE 4 LEAD FLASHING (BY OTHERS) |
| 4. PVC CO-EXTRUDED CARRIER RAIL THERMAL LINER | 10 - TIMBER JOISTS AND PURLIN (BY OTHERS) |
| 5. ALUMINIUM END CARRIER RAIL | 11 - SILICONE SEAL (BY OTHERS) |
| 6. INSULATION BOARD (BY OTHERS) | 12 - FACTORY GLAZED VENT GLAZATHERMLP |

PROJECT: TECHNICAL CATALOGUE DETAIL SAFEGARDTG50	REV	DATE		DRAWN	VM
				DATE	07/2024
				DRG. No.	TG-33T1V