



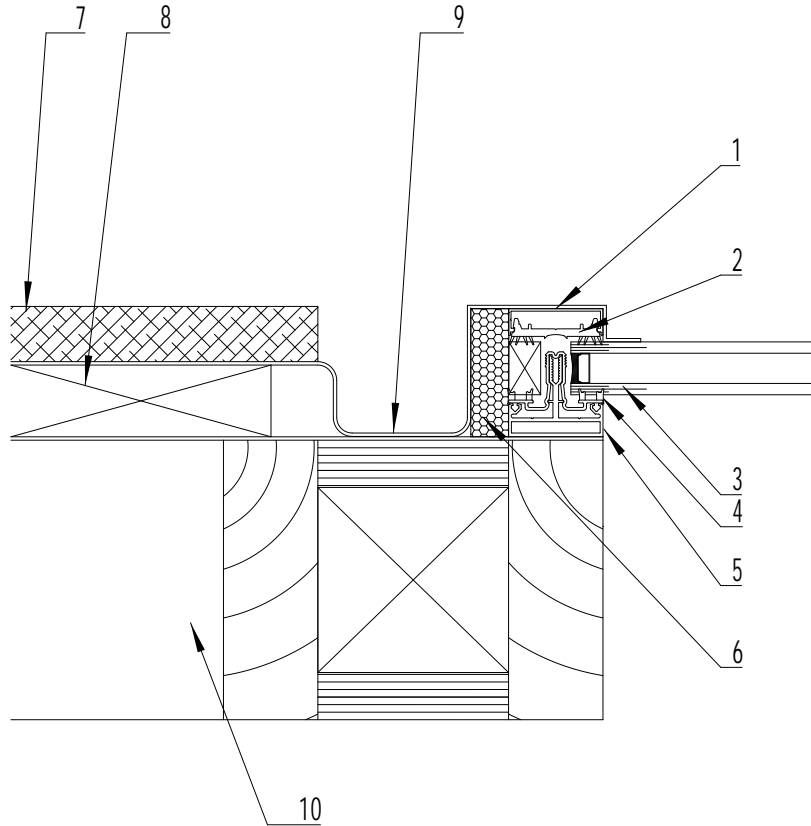
LONSDALEMETAL Co. LTD

London N17 9QU
 TEL: 020 8801 4221 FAX: 020 8801 1287
 Email: info@lonsdalemetal.co.uk
 www.lonsdalemetal.co.uk

DRAWING TITLE:

**SAFEGARDTG50 RAFTER BAR IN-LINE
 ROOFLIGHT SIDE DETAIL WITH LEAD
 FLASHING**

SCALE: 1:4 AT A4



- | | |
|--|---|
| 1. ALUMINIUM SNAP-ON COVER | 7 - ROOF TILES (BY OTHERS) |
| 2. PVC CO-EXTRUDED PRESSURE PLATE | 8 - ROOF BATTENS (BY OTHERS) |
| 3. STANDARD DGU 1.2 W*M ² /K | 9 - CODE 4 LEAD FLASHING (BY OTHERS) |
| 4. PVC CO-EXTRUDED CARRIER RAIL THERMAL LINER | 10 - TIMBER JOISTS AND PURLIN (BY OTHERS) |
| 5. ALUMINIUM CARRIER RAIL WITH END SPACER (SPACER BY OTHERS) | |
| 6. INSULATION BOARD (BY OTHERS) | |

| | | | | | |
|---|-----|------|--|----------|---------|
| PROJECT: TECHNICAL CATALOGUE DETAIL SAFEGARDTG50 | REV | DATE | | DRAWN | VM |
| | | | | DATE | 07/2024 |
| | | | | DRG. No. | TG-33TR |
| | | | | | |