

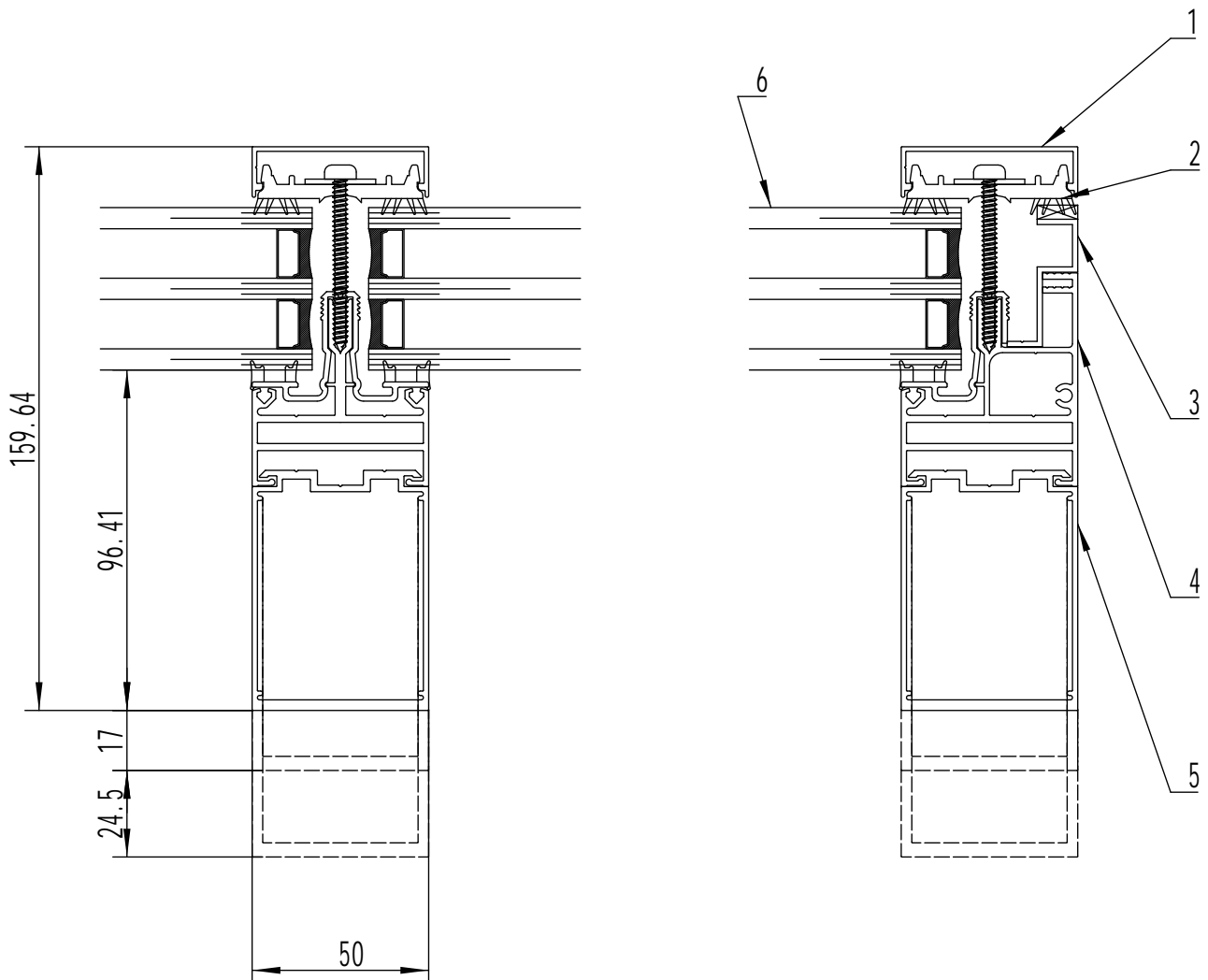


**LONSDALEMETAL Co. LTD**

London N17 9QU  
 TEL: 020 8801 4221 FAX: 020 8801 1287  
 Email: info@lonsdalemetal.co.uk  
 www.lonsdalemetal.co.uk

**DRAWING TITLE:**  
**SAFEGARDTG50 TRIPLE GLAZED**

SCALE: 1:2 AT A4



- 1 - Aluminium snap-on cover
- 2 - Black Co-extruded PVC pressure plate
- 3 - End Bar adapter
- 4 - Aluminium end carrier rail
- 5 - Aluminium box section
- 6 - Triple glazed unit. O/A thickness varies depending on requirements

<b>PROJECT:</b>  TECHNICAL CATALOGUE DETAIL SAFEGARDTG50	REV	DATE		DRAWN	VM
				DATE	07/2024
				DRG. No.	TG-B2TG