



LONSDALE METAL Co. LTD

London N17 9QU

TEL: 020 8801 4221 FAX: 020 8801 1287

Email: info@lonsdalemetal.co.uk

www.lonsdalemetal.co.uk

DRAWING TITLE:

**VERTICAL SECTION THROUGH
ROOFLIGHT FRAME ECOGARD FGR-F1**

SCALE: 1:2 AT A4

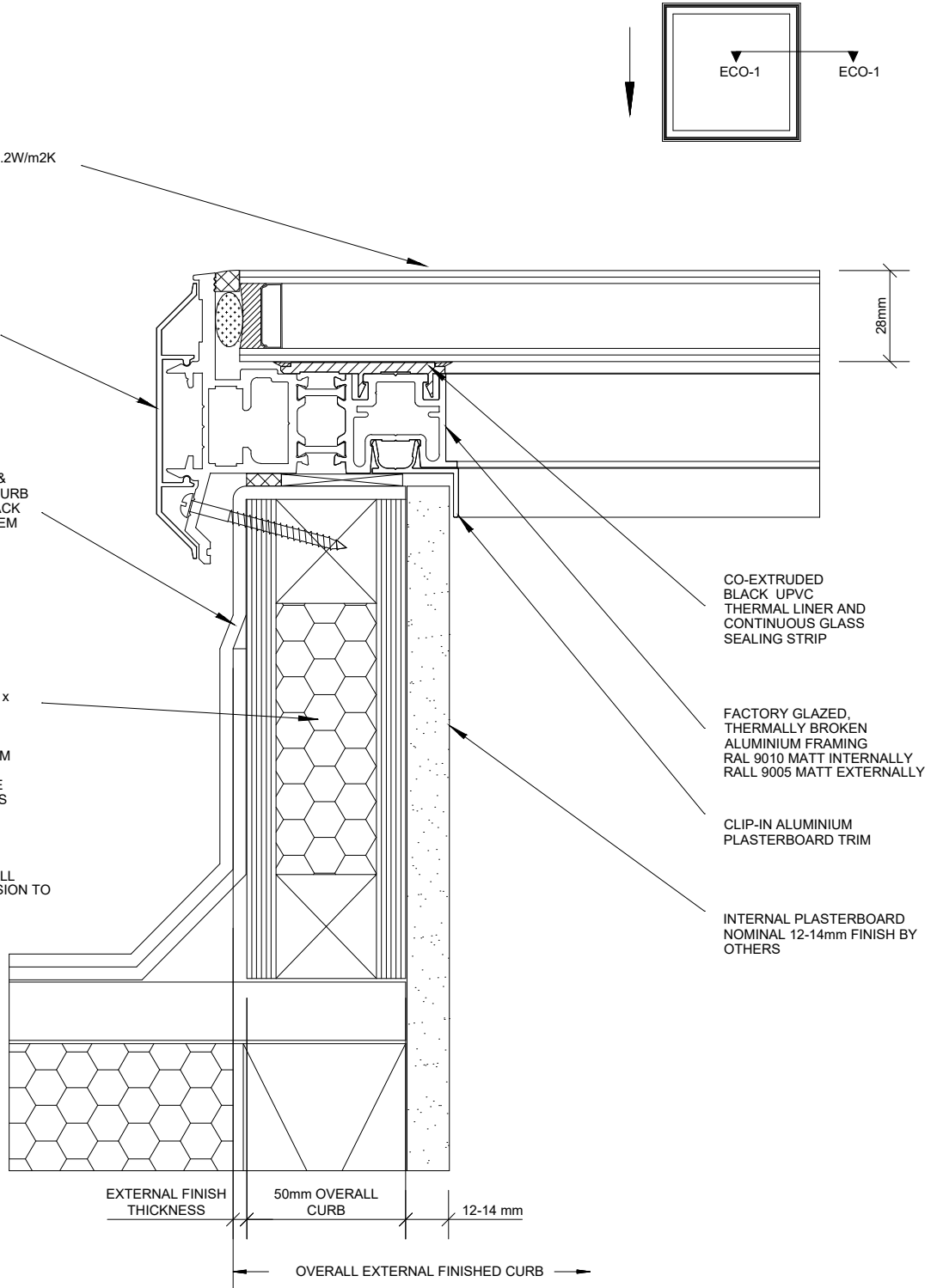
STANDARD 28MM DGU:
CENTRE PANE U VALUE 1.2W/m2K

EXTERNAL SNAP-ON
COVER SECTION
STANDARD FINISH:
RAL 7016 MATT.
OTHER RAL COLOURS
ARE AVAILABLE

EXTERNAL ROOF FINISH &
MEMBRANE UP & OVER CURB
BY OTHERS, STEPPED BACK
AS SHOWN IF FELT SYSTEM
50mm BELOW CURB TOP

OPTIONAL INSULATED
UPSTAND 50mm WIDE x
150mm MINIMUM HEIGHT
ABOVE THE ROOF FINISH
CONSTRUCTED OF 32mm x
32mm TIMBER FRAMING
WITH 9mm MARINE PLY
INTERNALLY &
EXTERNALLY & POLYFOAM
RIGID INSULATION TO
BSEN13165 BY LONSDALE
OR TO DETAIL BY OTHERS

** MINIMUM 5 DEGREE FALL
OVER SHORTEST DIMENSION TO
FACILITATE DRAINAGE **



PROJECT:

TECHNICAL CATALOGUE DETAIL
ECOGARD ROOFLIGHT

REV

DATE

DRAWN

VM

DATE

01/2015

DRG. No.

ECO-A1